

Versa Drapery Motor



MANUAL
ACTIVATION



SOFT START &
STOP



ADJUSTABLE
SPEED CONTROL



MICRO USB
CHARGING



BATTERY CHECK
ACTION



SIMPLIFIED
SET-UP

AUTOMATE™ | ARC™ Versa Drapery motor is compatible with popular drapery track systems for easy incorporation of curtains into the ARC motorized platform. The Soft Touch feature enables manual operation when needed.

The AUTOMATE Versa Drapery motor now offers the option to power the motor with a battery or continuous AC.

FEATURES:

- Electronic Torque sensing "Auto-set" Limits
- 433 MHz Bi-Directional RF Communication
- Leveling Control
- Inverted or Standard Mount
- Favorite Position
- Soft start / stop
- Soft touch control
- Speed Control

CONTENTS

1	SAFETY INSTRUCTIONS	4
2	COMPLIANCE STATEMENTS	5
3	VERSA DRAPERY MOTOR SPECIFICATIONS	6
4	RATINGS (VERSA BATTERY MODULE)	7
5	CHARGING (VERSA BATTERY MODULE)	7
6	WIRING (VERSA AC MODULES)	8
6.1	US (120V)	8
6.2	US + Field Plug (120V)	8
6.3	AU (240V)	9
7	ASSEMBLY	10
7.1	Attaching and removing the motor	11
7.2	Attaching and removing the battery or AC module	12
8	P1 BUTTON FUNCTIONS	13
8.1	Motor State Test	13
9	INITIAL SET UP	14
9.1	Pair motor with controller	14
9.2	Check/ Change motor direction (initial set up)	14
9.2.1	Check/ Change motor direction (initial set up)	15
9.3	Auto Set Limits	15
10	ADJUSTING LIMITS	16
10.1	Adjust open limit	16
10.2	Adjust close limit	16
10.3	Delete limits	17
11	CONTROLLERS AND CHANNELS	17
11.1	Using motor P1 button	17
11.2	Using existing controller to add a new controller or channel	18
11.3	Using pre-existing controller to add or delete a controller or channel	18

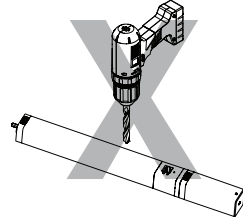
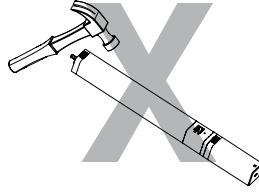
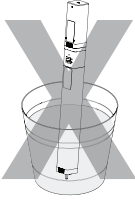
CONTENTS

12	FAVORITE POSITIONING	19
12.1	Set a favorite position	19
12.2	Send to favorite position	19
12.3	Delete favorite position	19
13	ADJUST MOTOR SPEED	20
13.1	Increase motor speed	20
13.2	Decrease motor speed	20
14	SOFT TOUCH FUNCTION	21
14.1	Operating with Soft Touch Function	21
14.2	Turn soft touch function on/off	21
15	BATTERY CHECK FUNCTION	22
15.1	Send curtain to battery charge level	22
16	RS485 COMMUNICATION	22
16.1	Enable RS485 communication	22
16.2	Disable RS485 communication	23
16.3	RS485 Failure	23
17	SLEEP MODE	24
17.1	Enter Sleep Mode	24
17.2	Exit Sleep Mode	24
18	EXTERNAL LOW VOLTAGE SWITCH MODE	25
18.1	Two Button Spring Return Switch (Default Mode)	25
18.2	Three Button Spring Return Switch	25
18.3	Single Button Spring Return Switch	26
19	TROUBLESHOOTING	27

1 SAFETY INSTRUCTIONS

WARNING: Important safety instructions to be read before installation.

Incorrect installation can lead to serious injury and will void manufacturer's liability and warranty.



- Do not expose to moisture or extreme temperatures.
- Do not allow children to play with this device.
- Use or modification outside the scope of this instruction manual will void warranty.
- Installation and programming to be performed by a suitably qualified installer.
- For use within curtains and drapes.
- Use only Rollease Acmeda hardware.
- Before installation, remove any unnecessary cords and disable any equipment not needed for powered operation.
- Ensure torque and operating time is compatible with end application.
- Do not expose the motor to water or install in humid or damp environments.
- Motor is to be installed in vertical application only.
- Do not drill into motor body.
- The routing of cable through walls shall be protected by isolating bushes or grommets.
- Ensure power cable is clear and protected from moving parts.
- If cable or power connector is damaged do not use.
- Ensure all mechanical connections are secure.
- Risk of Electric Shock, Dry location use only for indoor use only.
- This appliance can be used by children aged from 8 years and above and persons with reduced physical, sensory or mental capabilities or lack of experience and knowledge if they have been given supervision or instruction concerning use of the appliance in a safe way and understand the hazards involved. Children shall not play with the appliance. Cleaning and user maintenance shall not be made by children without supervision.
- Frequently examine the installation for imbalance and signs of wear or damage to cables and springs. Do not use if repair or adjustment is necessary.
- This appliance is intended to be used to drive drapes and curtains, etc.
- Hazardous unprotected moving parts of the drive shall be installed higher than 2,5 m above the floor or other level that could provide access to it.
- Install the actuating member of a manual release at a height less than 1.8m.
- That the actuating member of a biased-off switch is to be located within direct sight of the driven part but away from moving parts. It is to be installed at a minimum height of 1,5 m and not accessible to the public.
- The mass and the dimension of the driven part shall be compatible with the rated torque and rated operating time.

Important safety instructions to be read prior to operation.

- It is important for the safety of persons to follow the enclosed instructions. Save these instructions for future reference.
- Persons (including children) with reduced physical, sensory or mental capabilities, or lack of experience and knowledge should not be allowed to use this product.
- Keep remote controls away from children.
- Frequently inspect for improper operation. Do not use if repair or adjustment is necessary.
- Keep motor away from acid and alkali.
- Keep clear when in operation.
- Electrical wiring must be carried out by a licensed electrician.

2 COMPLIANCE STATEMENTS

WARNING: Important safety instructions to be read before installation and use.

Incorrect installation or use can lead to serious injury and will void manufacturer's liability and warranty. It is important for the safety of persons to follow the enclosed instructions.

Save these instructions for future reference.

- Do not put in fire.
- Do not expose to water, moisture, humid and damp environments or extreme temperatures.
- Do not crush, puncture, disassemble and damage.
- Do not expose to temperature above 60°C / 140°F.
- Do not short circuit the battery module.
- Do not leave the battery module on prolonged charge when not in use.
- Persons (including children) with reduced physical, sensory or mental capabilities, or lack of experience and knowledge, should not be allowed to use this product.
- Use or modification outside the scope of this instruction manual will void warranty.
- Installation and programming to be performed by a suitably qualified installer.
- Follow installation instructions.
- For use with motorized shading devices.
- Frequently inspect for improper operation.
- Do not use if repair or adjustment is necessary.
- Keep clear when in operation.
- Replace battery with correctly specified type.
- Avoid in direct sunlight or rain.
- The battery module needs to be charged before use. Use the battery module only for the versa drapery motor. Refer to Versa Drapery Motor instruction manual for assembly.

FCC & ISED Statement

This device complies with part 15 of the FCC Rules. Operation is subject to the following two conditions:

- (1) This device may not cause harmful interference, and
- (2) This device must accept any interference received, including interference that may cause undesired operation.

Caution: Changes or modifications to this unit not expressly approved by the party responsible for compliance could void the user's authority to operate the equipment.

This device contains licence-exempt transmitter(s)/receiver(s) that comply with Innovation, Science and Economic Development Canada's licence-exempt RSS(s). Operation is subject to the following two conditions:

- (1) This device may not cause interference.
- (2) This device must accept any interference, including interference that may cause undesired operation of the device.

L'émetteur/récepteur exempt de licence contenu dans le présent appareil est conforme aux CNR d'Innovation, Sciences et Développement économique Canada applicables aux appareils radio exempts de licence. L'exploitation est autorisée aux deux conditions suivantes :

- 1) L'appareil ne doit pas produire de brouillage;
- 2) L'appareil doit accepter tout brouillage radioélectrique subi, même si le brouillage est susceptible d'en compromettre le fonctionnement.

NOTE: This equipment has been tested and found to comply with the limits for a Class B digital device, pursuant to part 15 of the FCC Rules. These limits are designed to provide reasonable protection against harmful interference in a residential installation. This equipment generates, uses and can radiate radio frequency energy and, if not installed and used in accordance with the instructions, may cause harmful interference to radio communications. However, there is no guarantee that interference will not occur in a particular installation. If this equipment does cause harmful interference to radio or television reception, which can be determined by turning the equipment off and on, the user is encouraged to try to correct the interference by one or more of the following measures:

- Reorient or relocate the receiving antenna.
- Increase the separation between the equipment and receiver.
- Connect the equipment into an outlet on a circuit different from that to which the receiver is connected.
- Consult the dealer or an experienced radio/TV technician for help.



Do not dispose of in general waste.
Please recycle batteries and damaged electrical products appropriately.



Li-ion



CAN ICES-3 (B)/NMB-3(B)



UK
CA

3 VERSA DRAPERY MOTOR SPECIFICATIONS

VERSA DRAPERY MOTOR SPECIFICATIONS

Code	MT01-2101-xxx002	MT03-0305-xxx004	MT03-0305-069005	MT03-0305-069006	MT03-0305-xxx012
Description	Versa Drapery Motor	Battery Module	AC Module 10' Cord + Plug	AC Module 20' Cord	AC Module 2.5m Cord
Region	AU / EU / US	AU / EU / US	US	US	AU
Power Cable Length	-		3m [10']	6.1m [20']	2.5m [8.2']
Voltage Output	-	14.4V DC	18.0V DC		
Voltage Input	15V DC	-	120V AC 60 Hz		240V AC 50Hz
Capacity	-	2.55 Ah	-		
Running Time	12 min	-	-		
Current	1.3 A	-	2.0 A		
Power	20.0 W	-	36.0 W		
Stored Energy	-	36.72 Wh	-		
Charge Voltage	-	5V DC (Micro USB)	-		
Protection Class	IP20				
Torque	1.2 Nm	-			
Speed	80 100 120	-			
Frequency	433.925 MHz *	-			
Sound Level	44 dB	-			
Weight	0.83 Kg	0.27 Kg	0.32 Kg	0.49 Kg	0.30 Kg
	1.83 lbs	0.60 lbs	0.71 lbs	1.08 lbs	0.66 lbs
RF Protocol	ARC	-			
RF Modulation	FSK	-			
RF Signal Range	15m [49 ft]	-			
Limit Switch Type	Electronic	-			
Temperature Range	-10 - 50 °C	0 - 45 °C	-10 - 50 °C		
	14 - 122 °F	32 - 113 °F	14 - 122 °F		
Limit Range	∞	-			
Insulation Class	Class A				
Life Cycle Testing	10,000 Cycles 50 Kg Upto 11m Track				
Charge Time	-	8 hrs @ 2A	-		
Solar Panel Gen2	-	5V USB Compatible	-		

Notes

* Maximum transmitted power 10 mW

Motor/Battery protection activates when battery voltage reaches 13.5V DC (motor stops when battery is flat)

120 RPM is Default speed in operation (80 RPM is default speed during limit setting)

Charge time is based on typical 5V / 2A charge rate of fully discharged battery, actual time may vary between batteries

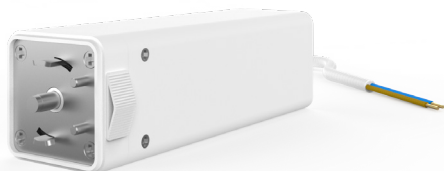
Versa Battery Module

Model:
MT03-0305-xxx004



Versa AC Module

Model:
MT03-0305-069005
MT03-0305-069006
MT03-0305-xxx012



4 RATINGS (VERSA BATTERY MODULE)

Model: MT03-0305-xxx004

Typical output voltage: 16.8VDC	Rate output voltage: 14.4VDC
Charge: 5VDC 2A or 5VDC 1A with USB plug	Nominal capacity: 2.55Ah

5 CHARGING (VERSA BATTERY MODULE)

CHARGERS

Strongly recommended chargers:

- RA US model: MT03-0301-069008 (marked as MX15W-0502000UU)
- RA AU model: MT03-0301-069011 (marked as MX15W-0502000SU)

However, the battery module also accepts universal 5VDC 2A/1A USB chargers.

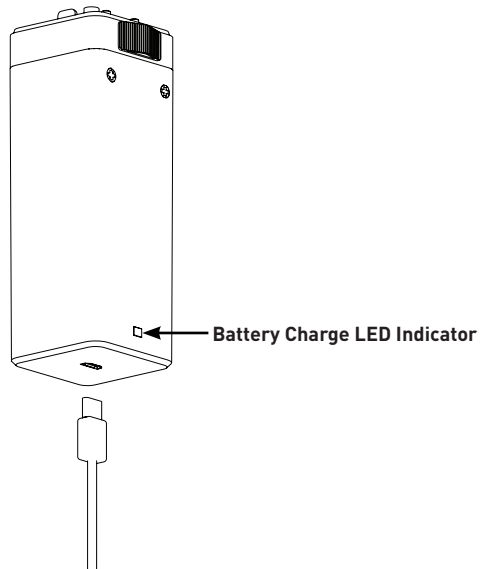
Important:

Before first use, charge battery fully until LED indicator turns Green (Solid)

Solid Red = Charging

Solid Green = Fully Charged

Charge battery using 5V Micro USB



6 WIRING (VERSA AC MODULES)


6.1 US (120V)

Disconnect the mains power supply.

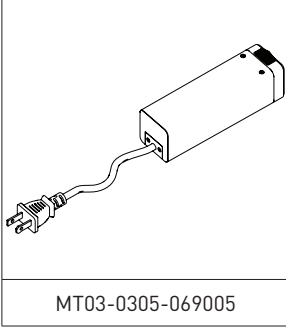
Connect the motor according to the information in the table below.



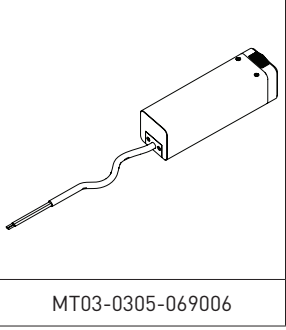
Ensure cable is kept clear of fabric.



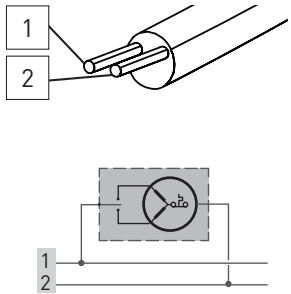
Power OFF



MT03-0305-069005



MT03-0305-069006



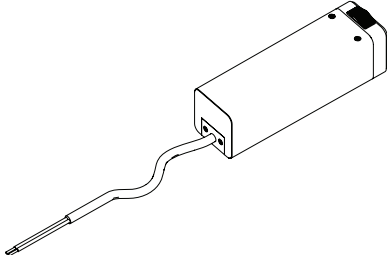
MOTOR	POWER	NEUTRAL	LIVE	EARTH	POWER CORD LENGTH
MT03-0305-069005	120V AC / 60Hz	White	Black	N/A	10 ft (3m)
MT03-0305-069006					20 ft (6.1m)

6.2 US + Field Plug (120V)

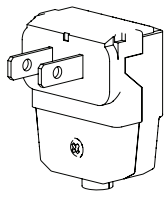


Connect the motor according to the information in the table below.

Ensure cable is kept clear of fabric.



Right Angle Field Plug



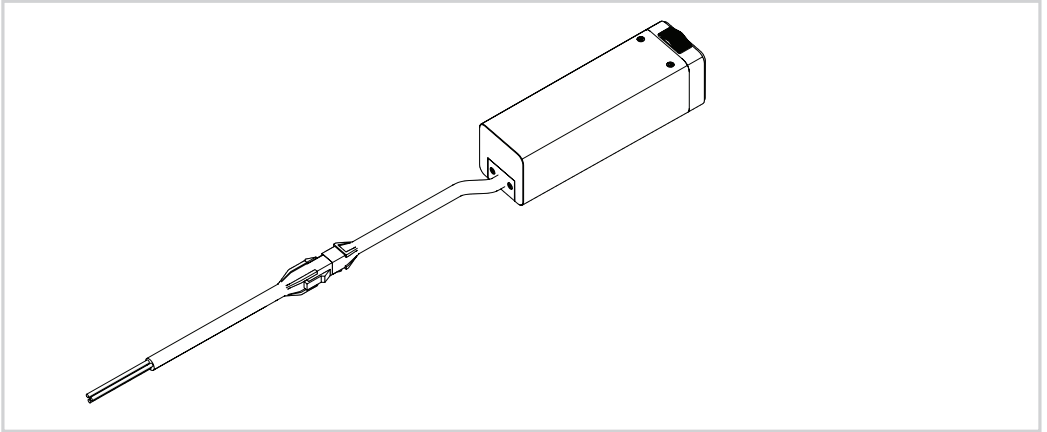
FIELD PLUG	POWER	NEUTRAL	LIVE	EARTH
MT03-0601-069001	125V AC / 60Hz	White	Black	Green

6 WIRING (VERSA AC MODULES)

6.3 AU (240V)



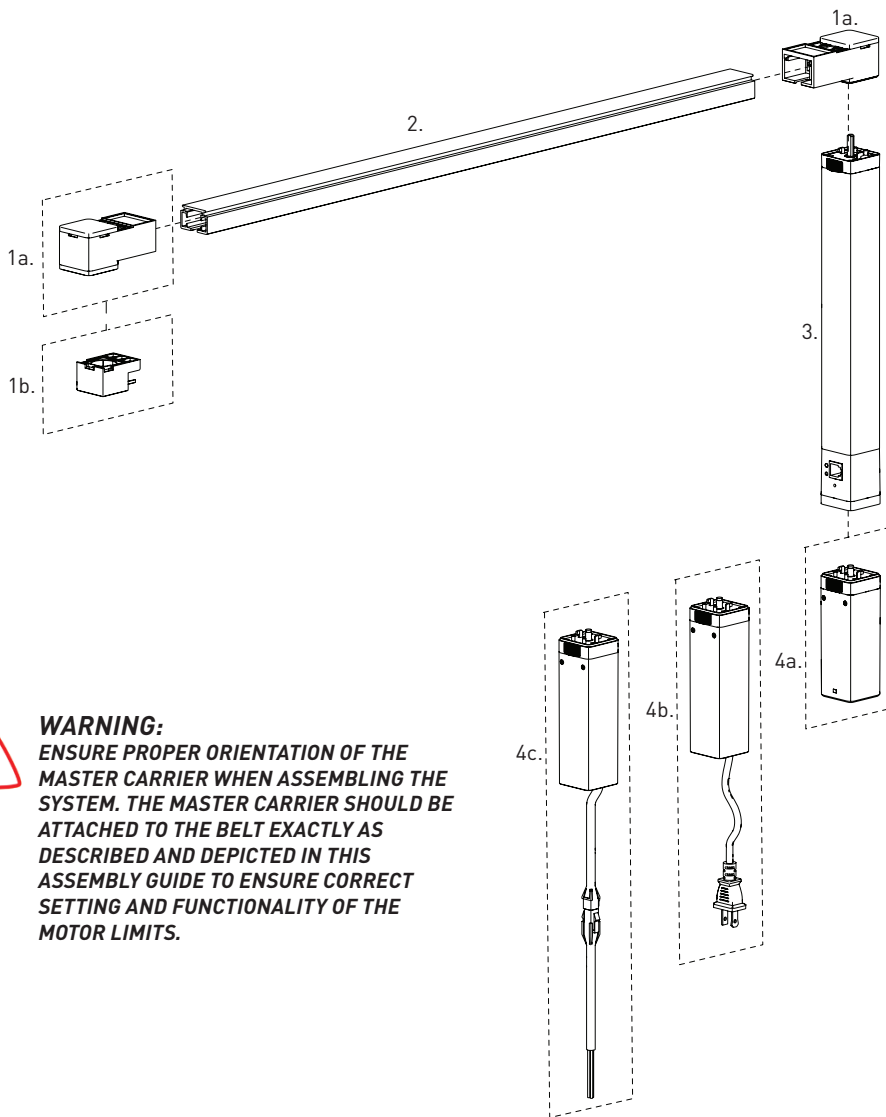
Connect the motor according to the information in the table below.
Ensure cable is kept clear of fabric.



MOTOR	POWER	NEUTRAL	LIVE	EARTH	POWER CORD LENGTH
MT03-0305-xxx012	240V AC 50Hz	Blue	Brown	N/A	8.2 ft (2.5m)

7 ASSEMBLY

GENERAL SCHEMATIC



WARNING:
ENSURE PROPER ORIENTATION OF THE MASTER CARRIER WHEN ASSEMBLING THE SYSTEM. THE MASTER CARRIER SHOULD BE ATTACHED TO THE BELT EXACTLY AS DESCRIBED AND DEPICTED IN THIS ASSEMBLY GUIDE TO ENSURE CORRECT SETTING AND FUNCTIONALITY OF THE MOTOR LIMITS.

SYSTEM INDEX:

1a. Motor End Pulley

1b. Overlap Return Pulley

2. Curtain Track

3. Versa Drapery Motor

4a. Battery

4b. AC Power Adapter

4c. AC Power Adapter (Long Cable)

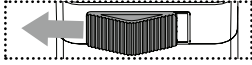
7 ASSEMBLY

7.1 Attaching and removing the motor

ATTACHING THE MOTOR TO DRIVE PULLEY

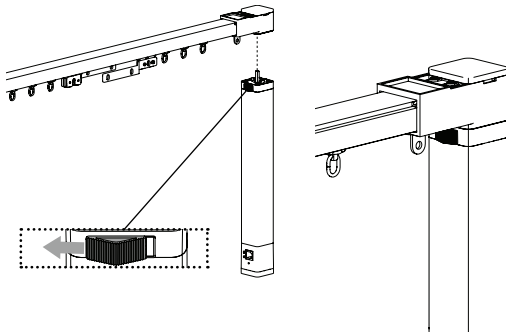
STEP 1

Slide the lock button fully left against the spring pressure force



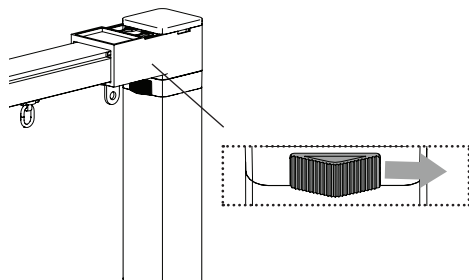
STEP 2

Align and engage the Motor with the Drive Pulley as shown.



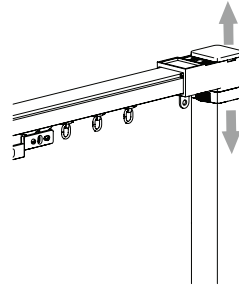
STEP 3

Push to Lock Button fully to the right to ensure they two are securely attached.



STEP 4

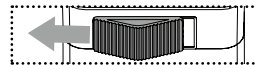
CHECK the Motor and Pulley are securely attached by trying to pull them apart.



REMOVING THE MOTOR FROM THE DRIVE PULLEY

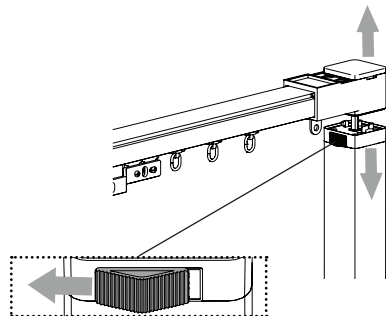
STEP 1

Slide the lock button fully left against the spring pressure force



STEP 2

Pull the Motor away from the Drive Pulley



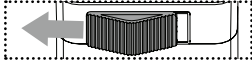
7 ASSEMBLY

7.2 Attaching and removing the battery or AC module

ATTACHING THE BATTERY OR AC MODULE TO THE MOTOR

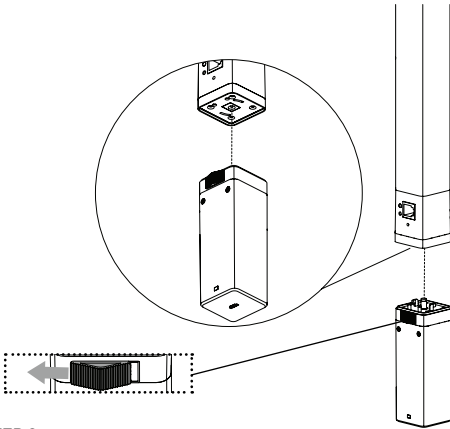
STEP 1

Slide the lock button fully left against the spring pressure force



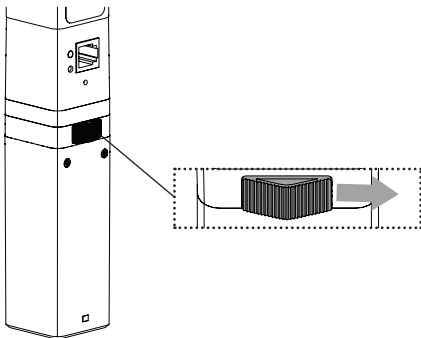
STEP 2

Align and engage the Battery or AC Module with the Motor as shown.



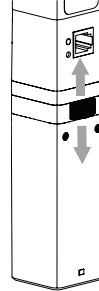
STEP 3

Push to Lock Button fully to the right to ensure they two are securely attached.



STEP 4

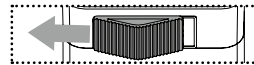
CHECK the Motor and Battery (or AC Module) are securely attached by trying to pull them apart.



REMOVING THE BATTERY OR AC MODULE FROM THE MOTOR

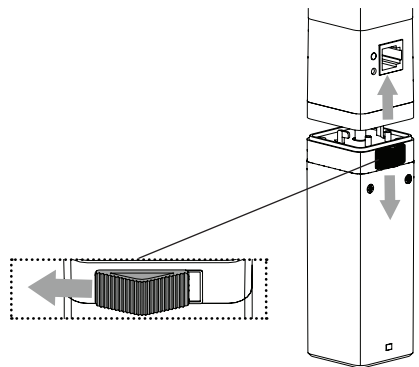
STEP 1

Slide the lock button fully left against the spring pressure force



STEP 2

Pull the battery or AC module away from the motor



8 P1 BUTTON FUNCTIONS

8.1 Motor State Test

This table describes the function of a short **P1** button press/release (<2 seconds) depending on current motor configuration.

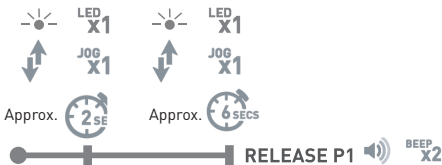
P1 Press	Condition	Function Achieved	Visual Feedback	Audible Feedback	Function Described
Short Press then Release (<2 sec)	If limit is NOT set	None	No Action	None	No Action
	If limits are set	Operational control of motor, run to limit. Stop if running	Motor runs	None	Operational control of motor after pairing and limit setting is completed first time
	If motor is in "Sleep Mode" & limits are set (Refer to Sec.10)	Wake and control	Motor wakes and runs in a direction	None	Motor is restored from Sleep mode and RF control is active

Hold **P1** button on motor head.

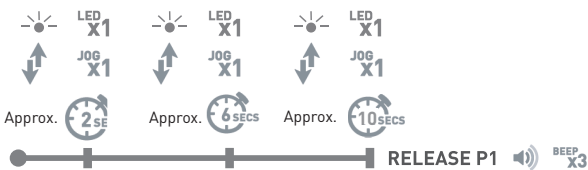
Activate Pairing Mode



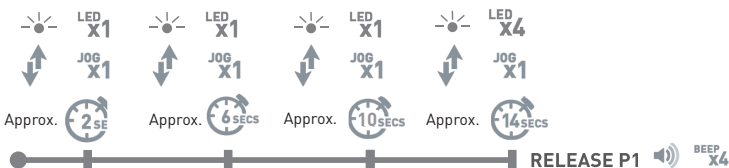
Sleep Mode



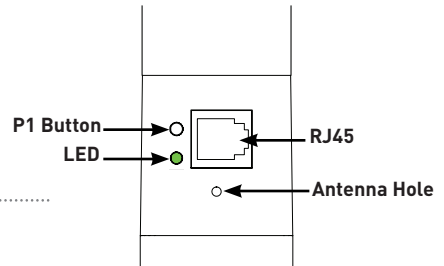
Enter Setting Mode



Reset To Factory Settings



● GREEN LED



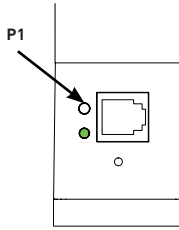
9 INITIAL SET UP

9.1 Pair motor with controller

Select channel on controller.



Hold **P1** button on motor head.



Hold **STOP** on controller.

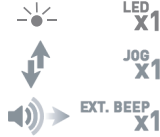


IMPORTANT

Consult user manual for your controller for information on selecting channel.

Motor Response

RELEASE P1



Motor Response



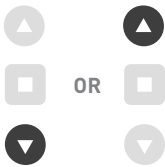
Motor is now in setup mode and ready for setting limits

Notes:

- When limits are not set only one remote channel can be paired with the motor
- When limits are set, up to ten channels can be paired with the motor

9.2 Check/ Change motor direction (initial set up)

To check travel direction of shade, press **UP** or **DOWN** on controller..



To reverse shade direction, hold both **UP** and **DOWN**. Until the motor responds.



Quick Press = Step

Long Press = Continuous Travel

Motor Response



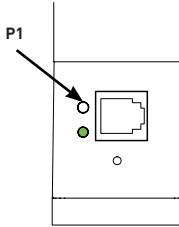
IMPORTANT

Reversing motor direction using this method is only possible during initial set-up

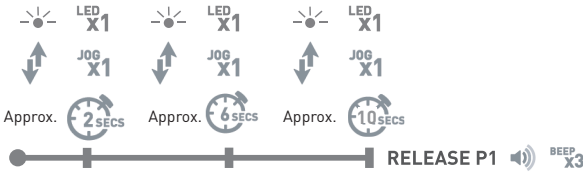
9.2.1 Check/ Change motor direction (initial set up)

Press **P1** on Motor for 10 seconds to enter setting mode

To reverse direction, hold both **UP** and **DOWN**. Until the motor responds.



Motor Response



Note:

Changing motor direction after initial set up (with limits already set) will clear the limits. Open and close the curtain to re-set the limits automatically.

Motor Response

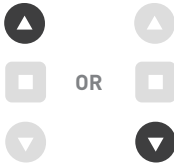


9.3 Auto Set Limits

The AUTOMATE Versa Drapery motor features automatic limit detection. Once the motor is attached to a fabricated, installed track, limits can be set with a few simple actions.

Press the **UP** or **DOWN** buttons on controller.
Carrier will run to the end of the track.

When carrier has reached the end of the track, it will automatically set limit there.
Repeat for opposite end.



Motor Response



IMPORTANT

To verify limits were successfully set, press up or down to run to limit. Motor should now function with slow start/slow stop feature. After the limits are set, the motor will only move in the set limit range. If the motor encounters a new obstacle a maximum of THREE TIMES at the same position, the limit will automatically reset.

Note: If the motor encounters an obstacle, collision detection will stop the motor to prevent damage.

Initial set-up is now complete

10 ADJUSTING LIMITS

10.1 Adjust open limit

Hold **UP** and **STOP** on controller.



Move curtain to the desired open position by pressing the **UP** or **DOWN** button.



To save desired open limit, hold **UP** and **STOP**.



Motor Response



Motor Response



10.2 Adjust close limit

Hold **DOWN** and **STOP** on controller.



Move curtain to the desired closed position by pressing the **UP** or **DOWN** button.



To save desired close limit, hold **DOWN** and **STOP**.



Motor Response



Motor Response



Notes:

- Once in limit adjustment mode, button selection on the remote must be made within 2 minutes, if not, motor will exit adjustment mode.
- To exit limit adjustment mode without making changes, press **P1** or **P2** and limits will remain unchanged.

10.3 Delete limits

Press **P2** on controller



Press **DOWN** on controller



Press **P2** on controller



Motor Response



Motor Response



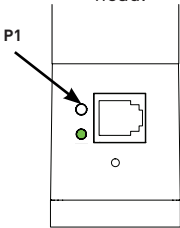
Motor Response



11 CONTROLLERS AND CHANNELS

11.1 Using motor P1 button

Hold **P1** button on motor head.



Hold **STOP** on controller to add or remove



Motor Response



Motor Response



11.2 Using existing controller to add a new controller or channel

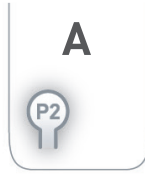
A= Existing controller or channel (to keep)

B= Controller or channel to add or remove

Press **P2** on controller **A**



Press **P2** on controller **A**



Press **STOP** on the new controller to add it



Motor Response



Motor Response



Motor Response



IMPORTANT

Consult user manual for your controller or sensor

11.3 Using pre-existing controller to add or delete a controller or channel

A= Existing controller or channel (to keep)

B= Controller or channel to add or remove

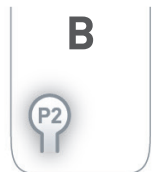
Press **P2** on controller **A**



Press **P2** on controller **A**



Press **P2** on controller **B** to remove it



Motor Response



Motor Response



Motor Response



IMPORTANT

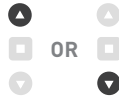
Consult user manual for your controller or sensor

12 FAVORITE POSITIONING

12.1 Set a favorite position

Move curtain to desired position by pressing the **UP** or **DOWN** button on the controller.

Move shade to the desired position by pressing the **UP** or **DOWN** button on the controller.



Press **P2** on controller.



Press **STOP** on controller.



Press **STOP** on controller.



Motor Response



Motor Response

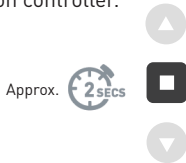


Motor Response



12.2 Send to favorite position

Press **STOP** on controller.



12.3 Delete favorite position

Press **P2** on controller.



Press **STOP** on controller.



Press **STOP** on controller.



Motor Response



Motor Response



Motor Response

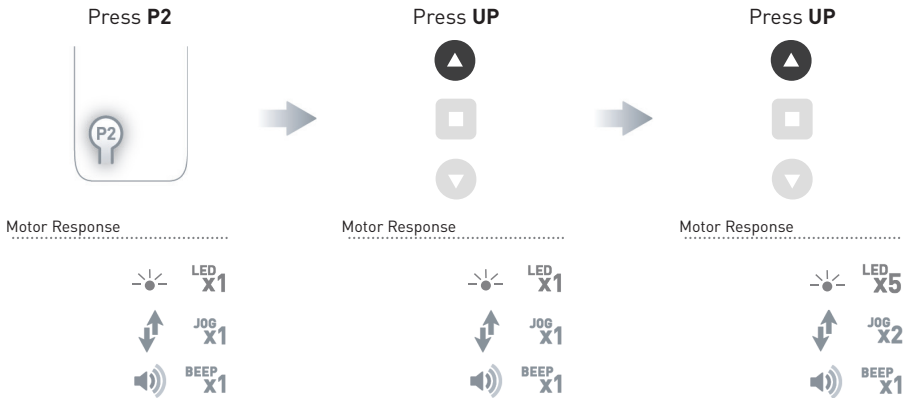


13 ADJUST MOTOR SPEED

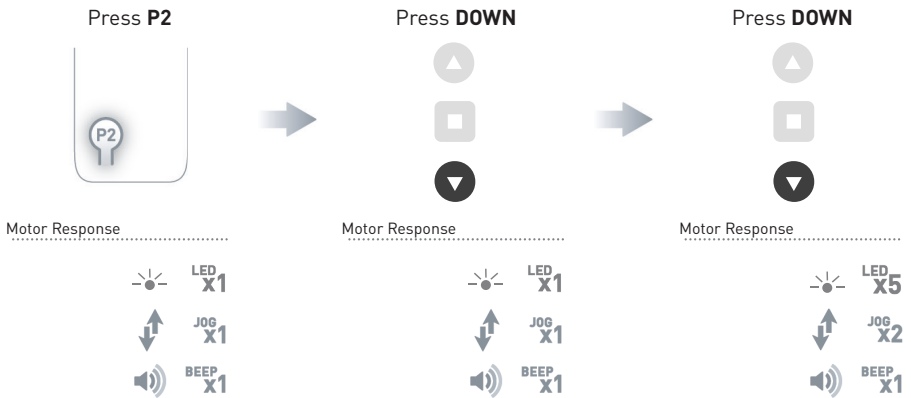
Notes:

- There are three speed settings (80,100 & 120 RPM).
- With limits set, the default speed is MAXIMUM speed.
- If motor responds to the inputs below with two quick beeps, the speed setting is already at the maximum or minimum speed trying to be set.
- When motor limits are not set, default speed is minimum.

13.1 Increase motor speed



13.2 Decrease motor speed

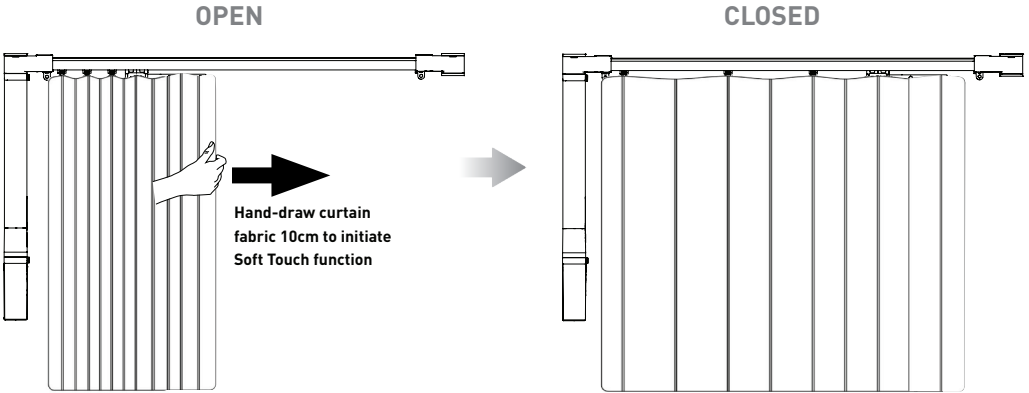


14 SOFT TOUCH FUNCTION

The AUTOMATE Versa Drapery Motor exhibits a built-in function which enables the motor to be initiated by hand-draw. When the fabric is displaced more than 10cm by hand-draw, the motor continues to move towards the drawn direction, until the limit is reached.

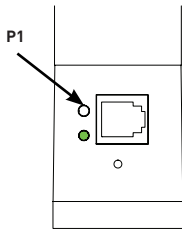
The Soft Touch Function can be toggled on and off by pressing the **P1** button for 10 seconds, followed by the **STOP** button.

14.1 Operating with Soft Touch Function



14.2 Turn soft touch function on/off

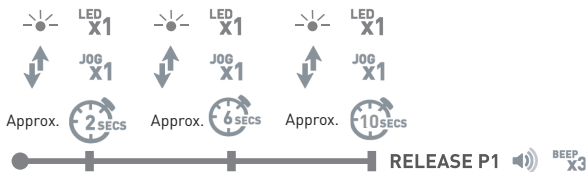
Continuously hold **P1** button on motor head for **10 seconds**



Press **STOP** on controller to switch soft touch function on or off.



Motor Response



Motor Response



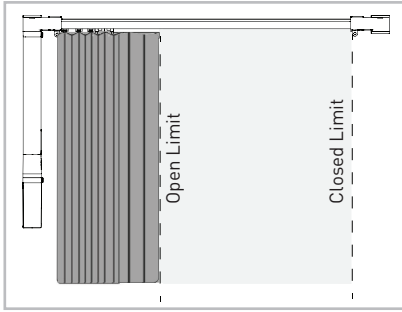
15 BATTERY CHECK FUNCTION

15.1 Send curtain to battery charge level

Hold **UP**

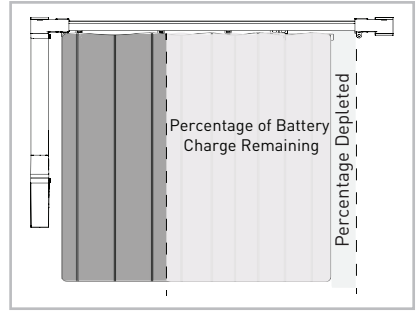


Motor Response.....



Hold **UP** for Approx. 5s

Curtain will close first if not already closed



Curtain then moves to percentage of battery charge remaining

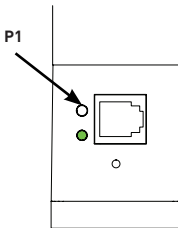
16 RS485 COMMUNICATION

Notes:

- Default RS485 function is disabled.
- RS485 function is not available when motor is powered by the Battery.
- RS485 function is ONLY available when motor is powered by AC Module.
- Motors must be paired one at a time with control PC when multiple motors are to be connected on a network.

16.1 Enable RS485 communication

Continuously hold **P1** button on motor head for 2 seconds



Motor Response.....



Hold **UP** on controller for 5 seconds

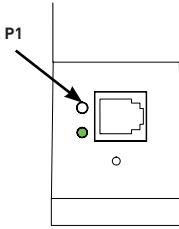


Motor Response.....



16.2 Disable RS485 communication

Continuously hold **P1** button on motor head for 2 seconds



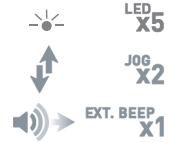
Motor Response



Hold **UP** on controller for 5 seconds



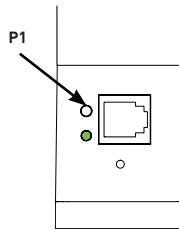
Motor Response



16.3 RS485 Failure

RS485 failure reminder when trying to turn on RS485 function of battery powered motor:

Continuously hold **P1** button on motor head for 2 seconds



Motor Response



Hold **UP** on controller for 5 seconds



Motor Response



17 SLEEP MODE

If multiple motors are grouped on a single channel, Sleep Mode may be used to put all but 1 motor to sleep, allowing programming of just the one motor that remains "Awake". See page 6 for detailed **P1** functions.

17.1 Enter Sleep Mode

Enter Sleep Mode

Sleep mode is utilized to prevent a motor from incorrect configuration during other motor setup.

Hold **P1** button on the motor head

Motor Response



Notes:

In sleep mode, the Soft Touch Function is available and operating the curtain via this method will not cause the motor to exit sleep mode.

17.2 Exit Sleep Mode

Exit Sleep Mode: Method 1

Exit sleep mode once the shade is ready.

Press and release **P1** button on the motor head

Motor Response

Motor will move in last default direction to limit position

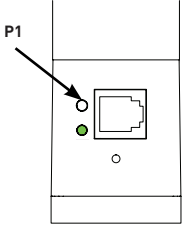
Exit Sleep Mode: Method 2

Remove power and then re-power the motor.

18 EXTERNAL LOW VOLTAGE SWITCH MODE

18.1 Two Button Spring Return Switch (Default Mode)

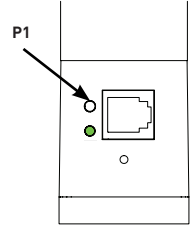
Press **P1** on motor for 10 seconds to enter setting mode



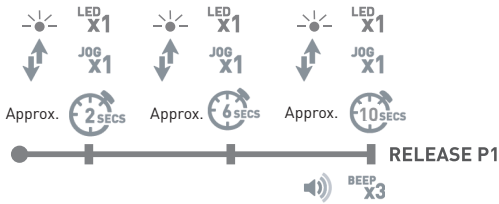
Press **P2** on controller



Press **P1** on motor for 2 seconds



Motor Response



Motor Response



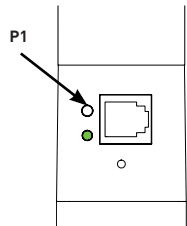
Motor Response



18.2 Three Button Spring Return Switch

Press **P1** on motor for 10 seconds to enter setting mode

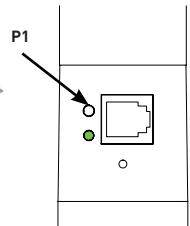
REPEAT 2X



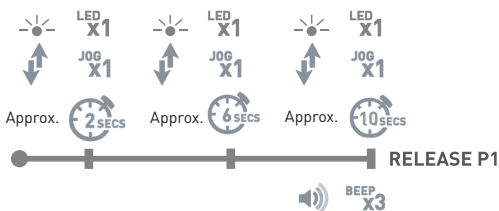
Press **P2** on controller



Press **P1** on motor for 2 seconds



Motor Response



Motor Response

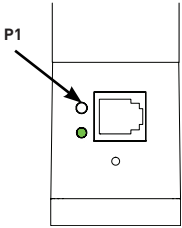


Motor Response



18.3 Single Button Spring Return Switch

Press **P1** on motor for 10 seconds to enter setting mode

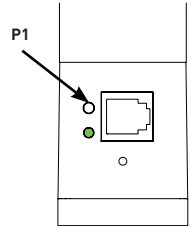


REPEAT 3X

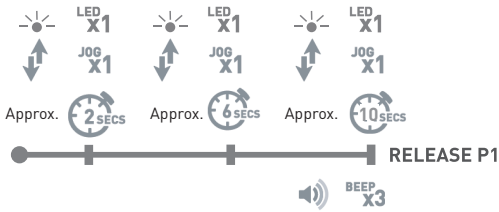
Press **P2** on controller



Press **P1** on motor for 2 seconds



Motor Response



Motor Response



Motor Response



19 TROUBLESHOOTING

Problem	Cause	Remedy
Motor is not responding	A / C power supply not plugged in.	Check motor to power cable connection and AC plug
	Insufficient charging from solar PV panel	Check connection and orientation of PV panel
	Transmitter battery is discharged	Replace battery
	Incorrect Wiring (AC Module power)	Check wiring of Field Plug if not factory fitted
	Radio interference/shielding	Ensure transmitter is positioned away from metal objects and the aerial on motor or receiver is kept straight and away from metal
	Receiver distance is too far from transmitter	Move transmitter to a closer position
	Charging failure	Connect battery to charger and check if LED indicates charging
Motor Beeps + Flashes x4 Times	Battery voltage is low	Recharge with a compatible charger
Cannot program a single Motor (multiple motors respond)	Multiple motors are paired to the same channel.	Always reserve an individual channel for programming functions
		SYSTEM BEST PRACTICE - Provide an extra 15 channel remote in your multi motor projects, that provides individual control for each motor for programming purposes
		Place all other motors into sleep mode. Refer to sleep mode section.

ROLLEASE ACMEDA | USA

Level 7 / 750 East Main Street
Stamford, CT 06902, USA

T +1 800 552 5100 | F +1 203 964 0513

ROLLEASE ACMEDA | AUSTRALIA

110 Northcorp Boulevard,
Broadmeadows VIC 3047, AUS

T +61 3 9355 0100 | F +61 3 9355 0110

ROLLEASE ACMEDA | EUROPE

Via Conca Del Naviglio 18,
Milan (Lombardia) Italy

T +39 02 8982 7317 | F +39 02 8982 7317